



CLAUSING KALAMAZOO 8" (200MM) WET CUTTING BANDSAW

Features

- 1 Hp (.75kw) drive motor with magnetic starter and overload protection
- 4 speed step pulley with worm gear speed reducer, worm shaft is hardened and ground
- Totally enclosed transmission
- Heavy-duty hydraulic cylinder with precision ground hinge support
- Pan shaped base with built-in coolant & hydraulic system
- Cast iron bed
- Carbide blade guides with roller bearings
- Two additional bearings to support blade from the top
- Integral coolant system
- 2.5 gallon capacity
- Blade brush
- Valve controlled hydraulic cylinder head feed can be adjusted for different types and sizes of material
- Adjustable stock stop
- Simplified control switches mounted on saw head
- Cast iron 0°– 45° vise with manual leadscrew clamping system
- Anti-slip hand wheel
- Easy blade change with front access at waist level
- 1" wide bi-metal saw blade
- Operation & parts manual
- Two (2) year limited warranty

Specifications

Model	KC812W
Type	Horizontal wet cut
Drive Motor	1 Hp (.75kw) 110v or 220v 1 Ph
Band Wheel Diameter	11.5" (292mm) Flanged, Cast Iron
Blade Size	1" x .035" x 8'-11" (27 x .9 x 2720mm)
Bed Height	24.8" (639mm)
Blade Speeds (4)	59, 96, 155, 260 fpm (18, 29, 47, 79 m/min)
90° Cutting Capacity	
Round	8" (190mm)
Square	7" (180mm)
Rectangular (H x W)	7" x 14" (180 x 355mm)
45° Cutting Capacity	
Round	7.5" (200mm)
Square	6" (152mm)
Rectangular (H x W)	6" x 9" (152 x 228mm)
Width	59" (1500mm)
Depth	24.6" (625mm)
Height (head-up)	63" (1600mm)
Height (head-down)	45" (1150mm)
Net Weight	515 lbs. (234kg)
Shipping Weight	640 lbs. (291kg)
Shipping Dim. (LxWxH)	58" x 30" x 48" (1475 x 762 x 1220mm)

All specifications subject to change without notice or obligation.

Accessories

- BT01 Bandsaw Blade Tension Gauge
- P10 Stock Stand Assembly 21"– 30"
- SA8 Roller Table Assembly 10' x 15"
- SA9 Roller Table Assembly 5' x 15"
- CSR1 SAWZIT 1 Gallon
- CSR5 SAWZIT 5 Gallon



CLAUSING KALAMAZOO 9" AND 10" WET CUTTING SWIVEL BANDSAWS

Features

- 1.5 Hp drive motor, heavy duty reducer and step pulley drive MS9 and MS9S1
- 1.5 Hp drive motor, heavy duty reducer and variable Speed drive MS10D
- Swivel angle 0–60 degree left MS9 and MS9S1
- Double swivel for adjustable left or right angles MS10D
- Feed down cyclinder
- Motor with worm gear driven gear box with hardened and ground worm shaft MS9 and MS9S1
- 2-Speed motor with worm gear driven gear box with hardened and ground worm shaft MS10D
- Bi-Metal saw blade
- Blade tension gauge system
- Coolant system
- Machine stand with door
- Operation and parts manual
- Two year limited warranty
- Voltages are 220v/1ph for MS9S1
- Voltages are 230v/3 phase for MS9 and MS10D all other voltages may require a transformer or special order

Specifications

Model	MS9	MS9S1	MS10D
Type	Horizontal Miter	Horizontal Miter	Horizontal Double Miter
Motor	1.5 Hp 3 phase	1.5Hp 1 phase	2 Speed 1.5 Hp 3 Phase
Step Speed Drive	2	Single Pulley	—
Variable Speed	—	—	Yes
Blade Size	1" x .035" x 96.5"	1" x .035" x 96.5"	1" x .035" x 120.3"
Blade Speeds Step	132 and 264 FPM	264 FPM	118–236 FPM
Blade Speeds Variable	—	—	—
90° Cutting Capacity			
Round	8.9" (225mm)	8.9" (225mm)	10.2" (260mm)
Rectangular (H x W)	9.45" x 6" (240 x 150mm)	9.45" x 6" (240 x 150mm)	13.8" x 7.9" (350 x 200mm)
45° Cutting Capacity +			
Round	5.75" (145mm)	5.75" (145mm)	7.9" (200mm)
Rectangular (H x W)	5.75" x 8.27" (145 x 210mm)	5.75" x 8.27" (145 x 210mm)	8.7" x 7.9" (220 x 200mm)
45° Cutting Capacity -			
Round	—	—	7.9" (200mm)
Rectangular (H x W)	—	—	9.1" x 7.9" (230 x 200mm)
60° Cutting Capacity +			
Round	3.5" (90mm)	3.5" (90mm)	5.5" (140mm)
Rectangular (H x W)	3.5" x 7" (90 x 180mm)	3.5" x 7" (90 x 180mm)	5.5" x 5.5" (140 x 140mm)
Bed Height from Floor	39.5"	39.5"	39.5"
Width	53" (1350mm)	53" (1350mm)	63.4" (1610mm)
Depth	28" (715mm)	28" (715mm)	39.4" (1000mm)
Height (head down)	52.2" (1326mm)	52.2" (1326mm)	64.5" (1639mm)
Net Weight	550 lbs. (250kg)	550 lbs. (250kg)	792 lbs. (360kg)
Shipping Weight	620 lbs. (281kg)	620 lbs. (281kg)	900 lbs. (409kg)
Shipping Dim. (L x W x H)	60" x 35" x 60"	60" x 35" x 60"	70" x 45" x 71"

All specifications subject to change without notice or obligation.

Speed control and speed chart on variable speed model KC1016VS



CLAUSING KALAMAZOO 10" (250MM) WET CUTTING BANDSAW

Features

- 2 Hp (1.5kw) drive motor 230v & 460v 3 Ph models and 1.5 Hp (1.1kw) drive motor on 110v & 220v 1 Ph models
- Magnetic starter with overload protection
- 4 speed step pulley with worm gear speed reducer, worm shaft is hardened and ground (model KC1016W)
- Infinity Variable Speed drive (model KC1016VS)
- Totally enclosed transmission
- Heavy-duty hydraulic cylinder with precision ground hinge support
- Pan shaped base with built-in coolant (5.25 gallon capacity)
- Cast iron bed
- Cast iron quick acting 0°–45° vise with manual leadscrew clamping system
- Carbide blade guides with roller bearings
- Two additional bearings to support blade from the top
- Recirculating coolant system with application through both guides
- Blade brush
- Valve controlled hydraulic cylinder head feed can be adjusted for different types and sizes of material
- Adjustable stock stop
- Simplified control switches mounted on saw head
- Anti-slip hand wheel
- Easy blade change with front access at waist level
- 1" wide bi-metal saw blade
- Tools
- Operation & parts manual
- Two (2) year limited warranty

Specifications

Model	KC1016W/KC1016VS
Type	Horizontal wet cut
Motor KC1016W 4 Speed Drive	1.5 Hp (1.1kw) 110v or 220v 1 Ph 2 Hp (1.5kw) 230v or 460v 3 Ph
Motor KC1016VS Variable Speed Drive	1.5 Hp (1.1kw) 110v or 220v 1 Ph 2 Hp (1.5kw) 230v or 460v 3 Ph
Band Wheel Diameter	15" (381mm) Flanged, Cast Iron
Blade Size	1" x .035" x 11' (27 x .9 x 3350mm)
Bed Height	25" (650mm)
Blade Speeds Step	(4) 75, 121, 190, 305 fpm (23, 37, 58, 93 m/min)
Blade Speeds VS	50-295 fpm (15-90 m/min)
90° Cutting Capacity Round Rectangular (H x W)	10" (250mm) 9" x 14.5" (230 x 368mm)
45° Cutting Capacity Round Rectangular (H x W)	9" (230mm) 9" x 9" (230 x 230mm)
Length	66" (16757mm)
Depth	28" (771mm)
Height (head-up)	69" (1752mm)
Height (head-down)	41" (1041mm)
Net Weight	720 lbs. (326kg)
Shipping Weight	885 lbs. (401kg)
Shipping Dim. (LxWxH)	68" x 30" x 45" (1727 x 762 x 1143mm)

All specifications subject to change without notice or obligation.

Accessories

- P10 Stock Stand Assembly 21"–30"
- SA10 Roller Table Assembly 10' x 18"
- SA11 Roller Table Assembly 5' x 18"
- BT01 Bandsaw Blade Tension Gauge
- CSR1 SAWZIT 1 Gallon
- CSR5 SAWZIT 5 Gallon

Speed control and speed chart on variable speed model KT1018VS



CLAUSING/KALAMAZOO 10" (254MM) WET CUTTING BANDSAW

Features

- 2 Hp (1.5kw) drive motor with magnetic starter and overload protection
- 4 step blade speeds (KT1018W)
- Infinity variable blade speeds (KT1018VS)
- Quick positioning 45° vise
- Cast iron bed
- Totally enclosed transmission
- Quick and simple speed change
- 1" (254mm) wide blade
- Blade cleaning brush
- Solid carbide blade guides with rollers
- Recirculating coolant system with application through both guides
- Stock stop
- Valve controlled hydraulic cylinder head feed can be adjusted for different types and sizes of material
- Two (2) year limited warranty

Specifications

Model	KT1018W/KT1018VS
Type	Horizontal wet cut
Drive Motor	2 Hp (1.5 kw) 110v or 220v 1 Ph 230v or 460v 3 Ph
Band Wheel Diameter	15.4" (391 mm) Flanged, Cast Iron
Blade Size	1" x .035" x 11'-4.5" (27 x .9 x 3465 mm)
Bed Height	21.8" (555mm)
Blade Speeds W Model	60, 125, 200, 300 fpm (18, 38, 61, 92 mpm)
Blade Speeds VS Model	69–321 fpm (21–98 mpm)
90° Cutting Capacity	
Round	10" (254mm)
Rectangular (H x W)	18" x 6" or 16" x 10" (457 x 152 or 406 x 254mm)
45° Cutting Capacity	
Round	8" (203mm)
Rectangular (H x W)	8" x 6" or 4" x 9" or 3" x 10" (203.2 x 152.4 or 101.6 x 228.6 or 76.2 x 254mm)
Floor Space	61" x 51" (1550 x 1300mm)
Machine Dim. LxWxH	74.8" x 29.1" x 39.4" (1900 x 740 x 1000mm)
Height (head-up)	60.4" (1535mm)
Height (head-down)	39.4" (1000mm)
Net Weight	VS-708 lbs. (321kg) W-685 lbs. (311kg)
Shipping Weight	VS-911 lbs. (413kg) W-888 lbs. (403kg)
Shipping Dim. LxWxH	80.3" x 35.4" x 45.3" (2040 x 900 x 1150mm)

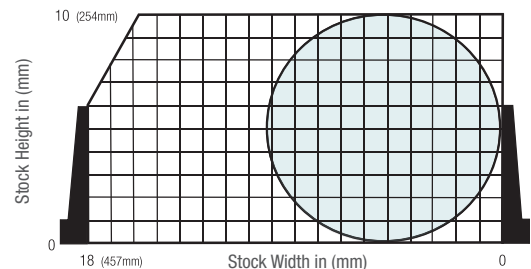
All specifications subject to change without notice or obligation.

Accessories

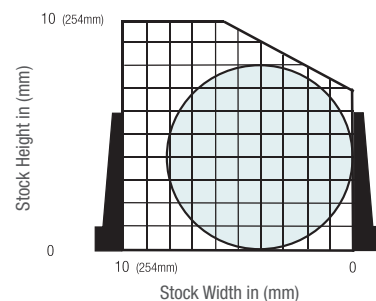
- P10 Stock Stand Assembly 21"–30"
- SA10 Roller Table Assembly 10' x 18"
- SA11 Roller Table Assembly 5' x 18"
- BT01 Bandsaw Blade Tension Gauge

Cutting Capacities

Capacity at 90°



Capacity at 45°





Shown with optional Hydraulic Chip Conveyor

Specifications

Model	KC10AX
Motor	3 Hp (2.2 kw), 230/460v 3ph*
Hydraulic Pump Motor	1 Hp (.75 kw)
Hydraulic Oil Capacity	10.5 gallons (40 liters)
Band Wheel Diameter	15.75" (400 mm)
Blade Speeds (Variable Speed)	66–328 fpm (20–100 m/min)
Blade Size	1.25" x .035" x 138" (34 x.9 x 3505mm)
Coolant	Recirculating
Coolant Capacity	16.8 gallons (64 liters)
90° Cutting Capacity	
Round	10" (250mm)
Rectangular (H x W)	10" x 11" (250 x 280mm)
Feed Accuracy	±.004"–.008" (±0.1–0.2 mm)
Length of Remnant Manual	.59" (15 mm)
Length of Remnant Automatic	1.97" (50 mm)
Minimum Cut Thickness	.354" (9 mm)
**Bundle Cutting Width	6.10" to 7.87" (155 to 200mm)
**Bundle Cutting Height	1.97" to 4.72" (50 to 120mm)
Feed Length/Index	15.75" (400 mm)
Max. Feed (9 times)	141.75" (3600mm)
Length	74" (1890mm)
Width	73" (1850mm)
Height	62" (1580mm)
Bed Height	26" (660mm)
Net Weight	2660 lbs. (1206 kg)
Shipping Weight	2830 lbs. (1284 kg)

*Other voltages optional. **When machine is equipped with optional hydraulic bundle cutting attachment. All specifications subject to change without notice or obligation.

CLAUSING 10" (250MM) AUTOMATIC BANDSAW

Designed for rugged production use, the Clausing KC10AX bandsaw offers high production output and heavy-duty performance in both semi-automatic and fully automatic operation. A powerful drive motor provides the power, and the optional hydraulic bundling attachment makes multiple cuts easy. The hydraulic shuttle feed system offers up to nine indexes.

Features

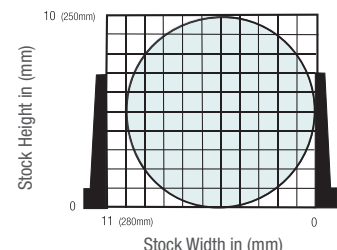
- Full or semi-automatic operation
- Inverter controlled infinitely variable blade speed
- LED blade speed readout
- Vise clamps work piece both sides of blade
- Hydraulic down feed
- Automatic height setting feature
- Auto shutoff at end of material or after preset number of cuts
- Front-mounted digital length gauge
- Blade breakage/stoppage switch
- 110v control circuit
- Overload protection
- Recirculating coolant system
- Shuttle vise
- (1) General purpose bi-metal blade
- Flushing hose for cleanup
- Operator's manual
- Two (2) year limited warranty

Accessories

- CM1000 Chip Conveyor
- CM1001 Hydraulic Bundle Clamps
- VP1200 Variable Vise Pressure System
- SA20 Heavy-duty Roller Table 10' x 15"
- SA21 Heavy-duty Roller Table 5' x 15"
- P10 Stock Stand Assembly 21"–30"
- CSR1 SAWZIT 1 Gallon
- CSR5 SAWZIT 5 Gallon

Cutting Capacities

Capacity at 90°





CLAUSING KALAMAZOO 10" (305MM) AUTOMATIC NC BANDSAW

Features

- Oversized hydraulic cylinder
- Hydraulic shuttle vice assembly
- Inverter controlled infinitely variable speed
- Carbide blade guides with roller bearings
- Two additional guides to support the blade from the top
- Automatic hydraulic blade tensioning
- Power driven blade brushes
- Integral coolant system
- Smart NC-100 technology programmable up to 100 different jobs
- Easy recall and execution of stored parts
- Automatic shutoff after preset number of cuts or when out of stock
- 5.7" HMI touch screen incorporating readout on blade speed, blade life, feed vise position and error code display for self-diagnostics
- Automatic kerf loss compensation & computer controlled multiple indexing
- Precision feed pressure & feed rate
- Bundle/single cutting mode switch
- Automatic height setting feature
- Hydraulic front and rear vises
- Cast iron vises with replaceable hardened wear plates
- Chip Conveyor
- Discharge table with built-in coolant return
- Blade slippage or breakage detection
- Adjustable cut-off stock fence
- Additional flushing hose
- Bi-metal saw blade
- Built in work light
- Tool box, leveling pads, and an additional wire brush
- Operation & parts manual
- Two (2) year limited warranty

Specifications

Model	KC10NC
Motor	5 Hp (3.75 kw), 230/460v 3ph*
Hydraulic Pump Motor	1 Hp (.75 kw)
Hydraulic Oil Capacity	8.2 gallons (35 liters)
Blade Speeds (Variable Speed)	66–330 fpm (20–100m/min)
Blade Size	1.25" x .035" x 138" (34 x.9 x 3505mm)
Blade Tension	Hydraulic
Coolant	Recirculating
Coolant Capacity	19.9 gallons (75 liters)
90° Cutting Capacity	
Round	10.2" (260mm)
Square	10.2" (260mm)
Rectangular (H x W)	11.8" x 10.2" (300 x 260mm)
Feed Accuracy	±.004"–.008" (±0.1–0.2 mm)
Length of Remnant Manual	.59" (15 mm)
Length of Remnant Automatic	1.97" (50 mm)
Minimum Cut Thickness	.354" (9 mm)
**Bundle Cutting Width	7.48" to 11.81" (190 to 300mm)
**Bundle Cutting Height	2.0" to 4.7" (50 to 120mm)
Feed Length/Index	15.86" (403mm)
Max. Feed	650" (16510mm)
Length	83" (2108mm)
Width	80" (2032mm)
Height	62" (1530mm)
Bed Height	26" (660mm)
Net Weight	3300 lbs. (1496 kg)
Shipping Weight	3750 lbs.(1701 kg)

*Other voltages optional. **When machine is equipped with optional hydraulic bundle cutting attachment. All specifications subject to change without notice or obligation.

Accessories

- CM1002 Hydraulic Bundle Clamps
- VP1200NC Variable Vise Pressure System
- SA20 Heavy-duty Roller Table 10' x 15"
- SA21 Heavy-duty Roller Table 5' x 15"
- P10 Stock Stand Assembly 21"–30"
- CSR1 SAWZIT 1 Gallon
- CSR5 SAWZIT 5 Gallon

SEMI-AUTOMATIC BANDSAW



CLAUSING 12" (305MM) WET CUTTING SEMI-AUTOMATIC MITER BANDSAW

Features

- 0°–45° Miter cutting, make angle cuts without swinging material to be cut
- 2 Hp (1.5kw) main drive motor with magnetic starter and overload protection
- Infinity variable speed drive
- 230/460v 60 cycle 3 phase electricals
- Recirculating coolant system with application through both guides
- Solid carbide blade guides with rollers
- Quick action vise
- Automatic shut-off at end of cut
- Totally enclosed transmission
- Blade cleaning brush
- Cast iron bed
- 1" (254mm) wide blade
- Stock stop
- Easily adjusted head feed with hydraulic power head lift
- Two (2) year limited warranty

Specifications

Model	MS1218VS
Drive Motor	2 Hp (1.5kw) 230/460v 3 phase
Hydraulic Motor	0.25 Hp (.19kw)
Coolant Pump	10.125 Hp (.1kw)
Band Wheel Diameter	15.4" (391mm)
Blade Size	1" x .035" x 11'-4.5" (25 x .9 x 3467mm)
Bed Height	21.75" (552mm)
Vise Opening	18" (457mm)
Blade Speeds	80–360 fpm (24–110 m/min)
90° Cutting Capacity	
Round	12" (305mm)
Square	10" x 10" (254 x 254mm)
Rectangular (H x W)	10" x 16" (254 x 406mm)
45° Cutting Capacity	
Round	8" (203mm)
Square	8" x 8" (203 x 203mm)
Rectangular (H x W)	8" x 12" (203 x 305mm)
Length	75" (1905mm)
Width/with stock stop	34"/49.5" (864/1257)mm
Height (head-up)	64" (1626mm)
Height (head-down)	41" (1041mm)
Net Weight	926 lbs. (420kg)
Shipping Weight	1129 lbs. (512mm)
Shipping Dim. (LxWxH)	78" x 36" x 46" (1981mm x 914mm x 1168mm)

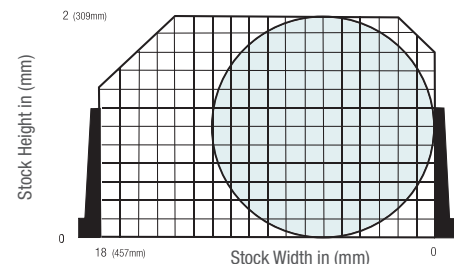
All specifications subject to change without notice or obligation.

Accessories

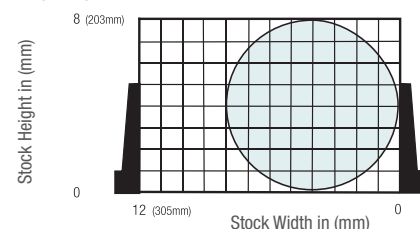
- P10 Stock Stand Assembly 21"–30"
- SA12 Roller Table Assembly 10' x 18"
- SA13 Roller Table Assembly 5' x 18"
- BT01 Bandsaw Blade Tension Gauge
- CSR1 SAWZIT 1 Gallon
- CSR5 SAWZIT 5 Gallon

Cutting Capacities

Capacity at 90°



Capacity at 45°



Speed control and speed chart on variable speed model KC12SA



CLAUSING 12" (305MM) SEMI-AUTOMATIC BANDSAW

Designed for rugged production use, the Clausing KC12SA bandsaw offers high production output and heavy duty performance in semi-automatic operation.

Features

- 5 Hp 230/460v 3 ph drive motor
- Semi-automatic operation
- Infinitely variable blade speeds
- LED blade speed readout
- Vise clamps work piece both sides of blade
- Powered hydraulic down feed
- Automatic height setting feature
- Auto shutoff at end of cuts
- Blade breakage/stoppage switch
- 110v control circuit
- Overload protection
- Recirculating coolant system
- (1) general purpose bi-metal blade
- (1) gallon coolant
- Flushing hose for cleanup
- Operator's manual
- Two (2) year limited warranty

Specifications

Model	KC12SA
Motor	5 Hp (3.75 kw), 230/460v 3ph*
Hydraulic Pump Motor	1 Hp (.75 kw)
Hydraulic Oil Capacity	6.5 gallons (25 liters)
Band Wheel Diameter	. 16" (406mm)
Blade Speeds (Variable Speed)	95–395 fpm (30–120 m/min)
Blade Size	1.25" x .042" x 150.4" (34 x 1.1 x 3820mm)
Coolant	Recirculating
Coolant Capacity	10 gallons (39 liters)
90° Cutting Capacity	
Round	12.75" (325mm)
Rectangular (H x W)	12.75" x 12.6" (325 x 320mm) 7.9" x 14.2" (200 x 360mm)
**Bundle Cutting Width	6.5" to 10" (165 to 254mm)
**Bundle Cutting Height	2" to 8" (51 to 203mm)
Length	47" (812mm)
Width	75" (1905mm)
Height (head-down)	61" (1550mm)
Height (head-up)	73" (1702mm)
Bed Height	29.5" (750mm)
Net Weight	2039 lbs. (925kg)
Shipping Weight	2260 lbs. (1025kg)

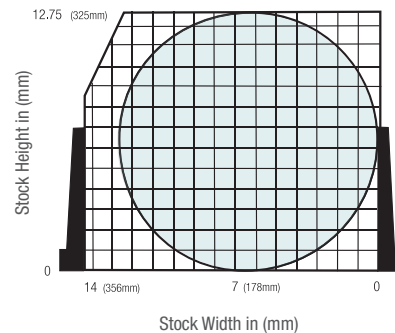
*Other voltages optional. **When machine is equipped with optional hydraulic bundle cutting attachment. All specifications subject to change without notice or obligation.

Accessories

- CM1201 Chip Conveyor
- VP1201 Variable Vise Pressure System 1 Vise
- SA20 Heavy-duty Roller Table 10' x 15"
- SA21 Heavy-duty Roller Table 5' x 15"
- P10 Stock Stand Assembly 21"–30"
- CSR1 SAWZIT 1 Gallon
- CSR5 SAWZIT 5 Gallon

Cutting Capacities

Capacity at 90°





Shown with optional Hydraulic Bundle Clamp and Variable Vise Pressure System

Specifications

Model	KC12AX
Motor	5 Hp (3.75 kw), 230/460v 3ph*
Hydraulic Pump Motor	1 Hp (.75 kw)
Hydraulic Oil Capacity	6.5 gallons (25 liters)
Band Wheel Diameter	16" (406mm)
Blade Speeds (Variable Speed)	95–395 fpm (30–120 m/min)
Blade Size	1.25" x .042" x 150.4" (34 x 1.1 x 3820mm)
Coolant	Recirculating
Coolant Capacity	10 gallons (39 liters)
90° Cutting Capacity	
Round	12.75" (323 mm)
Rectangular (H x W)	12.75" x 12.6" (323 x 320mm) 7.9" x 14.2" (200 x 360mm)
Feed Accuracy	±.004"–.008" (±0.1–0.2 mm)
Length of Remnant Manual	.79" (20 mm)
Length of Remnant Automatic	1.97" (50 mm)
Minimum Cut Thickness	.354" (9 mm)
**Bundle Cutting Width	6.5" to 10" (165 to 254mm)
**Bundle Cutting Height	2" to 8" (51 to 203mm)
Feed Length/Index	15.75" (400 mm)
Max. Feed (9 times)	141.75" (3600mm)
Length	76.5" (1973mm)
Width	76.5" (1973mm)
Height (head-down)	57" (1524mm)
Height (head-up)	73" (1448mm)
Bed Height	26" (660mm)
Net Weight	2795 lbs. (1260kg)
Shipping Weight	2945 lbs. (1336kg)
Shipping Dim. (LxWxH)	84" x 86" x 60" (2133mm x 2184mm x 1524mm)

*Other voltages optional. **When machine is equipped with optional hydraulic bundle cutting attachment. All specifications subject to change without notice or obligation.

CLAUSING 12" (305MM) AUTOMATIC BANDSAW

Designed for rugged production use, the Clausing KC12AX bandsaw offers high production output and heavy duty performance in both semi-automatic and fully automatic operation. A powerful drive motor provides the power, and the optional hydraulic bundling attachment makes multiple cuts easy. The hydraulic shuttle feed system offers up to nine indexes.

Features

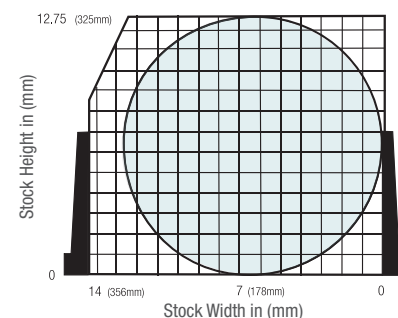
- Full or semi-automatic operation
- Infinitely variable blade speeds
- LED blade speed readout
- Vise clamps work piece both sides of blade
- Hydraulic down feed
- Automatic height setting feature
- Auto shutoff at end of material or after preset number of cuts
- Front-mounted digital length gauge
- Blade breakage/stoppage switch
- 110v control circuit
- Overload protection
- Recirculating coolant system
- Shuttle vise
- (1) General purpose bi-metal blade
- Flushing hose for cleanup
- Operator's manual
- Two (2) year limited warranty

Accessories

- CM1201 Chip Conveyor
- CM1202 Hydraulic Bundle Clamps
- VP1200 Variable Vise Pressure System
- SA20 Heavy-duty Roller Table 10' x 15"
- SA21 Heavy-duty Roller Table 5' x 15"
- P10 Stock Stand Assembly 21"–30"
- CSR1 SAWZIT 1 Gallon
- CSR5 SAWZIT 5 Gallon

Cutting Capacities

Capacity at 90°





Specifications

Model	KC12NC
Motor	5 Hp (3.75 kw), 230/460v 3ph*
Hydraulic Pump Motor	1 Hp (.75 kw)
Hydraulic Oil Capacity	6.6 gallons (25 liters)
Blade Speeds (Variable Speed)	66–330 fpm (20–100m/min)
Blade Size	1.25"x.042"x150.4" (34x1.1x3820mm)
Blade Tension	Hydraulic
Coolant	Recirculating
Coolant Capacity	11.9 gallons (45 liters)
90° Cutting Capacity	
Round	11.81" (300mm)
Square	11.81" (300mm)
Rectangular (H x W)	13.4" x 11.81" (340 x 300mm)
Feed Accuracy	±.004"–.008" (±0.1–0.2 mm)
Length of Remnant Manual	.79" (20 mm)
Length of Remnant Automatic	1.97" (50 mm)
Minimum Cut Thickness	.354" (9 mm)
**Bundle Cutting Width	7.48" to 11.81" (190 to 300mm)
**Bundle Cutting Height	2.75" to 5.51" (70 to 140mm)
Feed Length/Index	15.86" (403mm)
Max. Feed	650" (16510mm)
Length	84" (2133mm)
Width	86" (2184mm)
Height	60" (1524mm)
Height (head-up)	76.7" (1950mm)
Bed Height	26" (660mm)
Net Weight	2977 lbs. (1350kg)
Shipping Weight	3164 lbs. (1435kg)

*Other voltages optional. **When machine is equipped with optional hydraulic bundle cutting attachment. All specifications subject to change without notice or obligation.

CLAUSING KALAMAZOO 12" (305MM) AUTOMATIC NC BANDSAW

Features

- Oversized hydraulic cylinder
- Hydraulic shuttle vice assembly
- Inverter controlled infinitely variable speed
- Carbide blade guides with roller bearings
- Two additional guides to support the blade from the top
- Automatic hydraulic blade tensioning
- Power driven blade brushes
- Integral coolant system
- Smart NC-100 technology programmable up to 100 different jobs
- Easy recall and execution of stored parts
- Automatic shutoff after preset number of cuts or when out of stock
- 5.7" HMI touch screen incorporating readout on blade speed, blade life, feed vise position and error code display for self-diagnostics
- Automatic kerf loss compensation & computer controlled multiple indexing
- Precision feed pressure & feed rate
- Bundle/single cutting mode switch
- Automatic height setting feature
- Hydraulic front and rear vises
- Cast iron vises with replaceable hardened wear plates
- Discharge table with built-in coolant return
- Blade slippage or breakage detection
- Adjustable cut-off stock fence
- Additional flushing hose
- Bi-metal saw blade
- Built in work light
- Tool box, leveling pads, and an additional wire brush
- Operation & parts manual
- Two (2) year limited warranty

Accessories

- CM1201N Chip Conveyor
- CM1202N Hydraulic Bundle Clamps
- VP1200NC Variable Vise Pressure System
- SA20 Heavy-duty Roller Table 10' x 15"
- SA21 Heavy-duty Roller Table 5' x 15"
- P10 Stock Stand Assembly 21"–30"
- CSR1 SAWZIT 1 Gallon
- CSR5 SAWZIT 5 Gallon



CLAUSING 13" (330MM) SEMI-AUTOMATIC SWIVEL HEAD MITER BANDSAW

Features

- Advanced hydraulic system provides dependable power for powered clamping and raising the saw head at end of cut
- Full stroke machine vise for tight clamping of any material from operator's panel
- Operator's panel pivots allowing operator to control saw from the rear of machine
- Swivel sawhead allows the operator to accurately pivot head for angle cuts from 0°, for a 90° cut, to 60°
- Carbide blade guides provide excellent stability for the saw blade
- Variable blade speed
- Power chip brush removes chips from the blade extending blade life
- Integrated coolant system
- Cast iron moveable guide arms provide rigidity and stability for an accurate cut
- Flushing hose
- Adjustable work stop
- Tool box with tools
- Manual & parts list
- Two (2) year limited warranty

Available in Manual and Automatic Models

Specifications

Model	MS1318SA
Drive Motor	Drive Motor 3 Hp (2.2kw)*
Hydraulic Motor	0.25 Hp (.19kw)
Hydraulic Oil Capacity	2 gallons (7.5 liters)
Coolant Motor	.125 Hp (.1kw)
Coolant Capacity	7.8 gallons (7.5 liters)
Blade Speeds (Inf. Variable)	102–377 fpm (31–115 m/min)
Blade Size	1" x .035" x 13'-7" (25 x .9 x 4140mm)
Swivel Angle Range	0° to 60°
Cutting Capacity	
Round @ 90°	13" (330mm)
Round @ 45°	11.5" (292mm)
Round @ 60°	8.7" (220mm)
Square @ 90°	10.6" (270mm)
Square @ 45°	10.5" (268mm)
Square @ 60°	8.7" (221mm)
Rectangular @ 90°	18.5" x 10.6" (470 x 269mm)
Rectangular @ 45°	10.5" x 10.5" (268 x 268mm)
Rectangular @ 60°	8.7" x 8.7" (220 x 220mm)
Bed Height	33" (838mm)
Length	75" (1905mm)
Width	34" (863mm)
Height	55.5" (1410mm)
Net Weight	1785 lbs. (810kg)
Shipping Weight	1890 lbs. (857kg)
Shipping Dim. (LxWxH)	80" x 48" x 67" (2032mm x 1219mm x 170

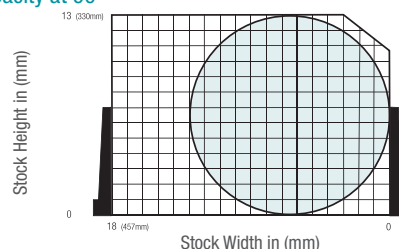
*Available in 3-phase 230v/460v only. All specifications subject to change without notice or obligation.

Accessories

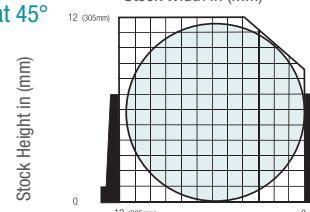
- P11 Stock Stand Assembly 30"–39"
- SA10 Roller Table Assembly 10' x 18"
- SA11 Roller Table Assembly 5' x 18"
- BT01 Bandsaw Blade Tension Gauge
- CSR1 SAWZIT 1 Gallon
- CSR5 SAWZIT 5 Gallon

Cutting Capacities

Capacity at 90°



Capacity at 45°





CLAUSING KALAMAZOO 12.6" (320MM) AUTOMATIC NC TWIN COLUMN BANDSAW

Features

- Oversized hydraulic cylinder
- Twin column design ensures rigid support during cutting cycle
- Hydraulic shuttle vice assembly
- Inverter controlled infinitely variable speed
- Carbide blade guides with roller bearings
- Two additional guides to support the blade from the top
- Automatic hydraulic blade tensioning
- Power driven blade brushes
- Integral coolant system
- Smart NC-100 technology programmable up to 100 different jobs
- Easy recall and execution of stored parts
- Automatic shutoff after preset number of cuts or when out of stock
- 5.7" HMI touch screen incorporating readout on blade speed, blade life, feed vise position and error code display for self-diagnostics
- Automatic kerf loss compensation & computer controlled multiple indexing
- Precision feed pressure & feed rate
- Bundle/single cutting mode switch
- Automatic height setting feature
- Hydraulic front and rear vises
- Cast iron vises with replaceable hardened wear plates
- Discharge table with built-in coolant return
- Blade slippage or breakage detection
- Adjustable cut-off stock fence
- Additional flushing hose
- Bi-metal saw blade
- Built in work light
- Tool box, leveling pads, and an additional wire brush
- Operation & parts manual
- Two (2) year limited warranty

Specifications

Model	H1315NC
Motor	5 Hp (3.75 kw), 230/460v 3ph*
Hydraulic Pump Motor	1 Hp (.75 kw)
Hydraulic Oil Capacity	6.6 gallons (25 liters)
Blade Speeds (Variable Speed)	49–262 fpm (15–80 m/min)
Blade Size	1.25" x .042 "x 166.9" (34 x 1.1 x 4240mm)
Blade Tension	Hydraulic
Coolant	Recirculating
Coolant Capacity	11.9 gallons (45 liters)
90° Cutting Capacity	
Round	12.6" (320mm)
Square	12.6" (320mm)
Rectangular (H x W)	15" x 12.6" (380 x 320mm)
Feed Accuracy	±.004"–.008" (±0.1–0.2 mm)
Length of Remnant Manual	.59" (15 mm)
Length of Remnant Automatic	1.97" (50 mm)
Minimum Cut Thickness	.197" (5 mm)
**Bundle Cutting Width	7.48" to 11.81" (190 to 300mm)
**Bundle Cutting Height	2.75" to 5.51" (70 to 140mm)
Feed Length/Index	15.86" (403mm)
Max. Feed	255.9" (6500mm)
Length	79.13" (2010mm)
Width	78.75" (2000mm)
Height	70.3" (1785mm)
Bed Height	31.1" (790mm)
Net Weight	3509 lbs. (1592kg)
Shipping Weight	3766 lbs. (1708kg)

*Other voltages optional. **When machine is equipped with optional hydraulic bundle cutting attachment. All specifications subject to change without notice or obligation.

Accessories

- CM1301N Chip Conveyor
- CM1302N Hydraulic Bundle Clamps
- VP1200NC Variable Vise Pressure System
- SA20 Heavy-duty Roller Table 10' x 15"
- SA21 Heavy-duty Roller Table 5' x 15"
- P11 Stock Stand Assembly 30"–39"
- CSR1 SAWZIT 1 Gallon
- CSR5 SAWZIT 5 Gallon



CLAUSING KALAMAZOO 13" (330MM) AUTOMATIC NC SWIVEL HEAD MITER BANDSAW

Features

- The swivel sawhead allows cutting at any angle between 90° (straight cut) and 45° (miter cut)
- Precision pivot system facilitates easy and accurate adjustment for angle cuts
- Inverter controlled infinitely variable speed
- Carbide blade guides with roller bearings
- Two additional guides to support the blade from the top
- Automatic hydraulic blade tensioning
- Power driven blade brushes
- Integral coolant system
- Smart NC-100 technology programmable up to 100 different jobs
- Easy recall and execution of stored parts
- Automatic shutoff after preset number of cuts or when out of stock
- 5.7" HMI touch screen incorporating readout on blade speed, blade life, feed vise position and error code display for self-diagnostics
- Automatic kerf loss compensation & computer controlled multiple indexing
- Precision feed pressure & feed rate
- Automatic height setting feature
- Hydraulic front and rear vises
- Cast iron vises with replaceable hardened wear plates
- Computer controlled multiple indexing
- Discharge table with built-in coolant return
- Blade slippage or breakage detection
- Additional flushing hose
- Bi-metal saw blade
- Built in work light
- Tool box, leveling pads, and an additional wire brush
- Operation & parts manual
- Two (2) year limited warranty

Specifications

Model	MS1319NC
Motor	5 Hp (3.75 kw), 230/460v 3ph*
Hydraulic Pump Motor	1 Hp (.75 kw)
Hydraulic Oil Capacity	10.4 gallons (40 liters)
Blade Speeds (Variable Speed)	66–330 fpm (20–100 m/min)
Blade Size	1.25" x .042" x 193" (34 x 1.1 x 4900mm)
Blade Tension	Hydraulic
Coolant	Recirculating
Coolant Capacity	14.3 gallons (55 liters)
90° Cutting Capacity	
Round	13" (330mm)
Rectangular (H x W)	11" x 19.68" (280 x 500mm)
45° Cutting Capacity	
Round	11.5" (290mm)
Rectangular (H x W)	10.43" x 10.43" (265 x 265mm)
Feed Accuracy	±.004"– .008" (±0.1–0.2 mm)
Length of Remnant Manual	.275" (70 mm)
Length of Remnant Automatic	9.84" (250 mm)
Minimum Cut Thickness	.126" (3.2 mm)
Feed Length/Index	23.9" (607mm)
Max. Feed	255.9" (6500mm)
Length	114" (2900mm)
Width	102" (2600mm)
Height	86.6" (2200mm)
Bed Height	30.8" (783mm)
Net Weight	3300 lbs. (1500 kg)
Shipping Weight	3745 lbs. (1700kg)

*Other voltages optional. All specifications subject to change without notice or obligation.

Accessories

- CM1301M Hydraulic Bundle Clamps
- VP1200NC Variable Vise Pressure System
- SM1302 Buck Boost Transformer for 208V service 5Hp
- SA22 Heavy-duty Roller Table 10' x 19"
- SA23 Heavy-duty Roller Table 5' x 19"
- P10 Stock Stand Assembly 21" –30"
- CSR1 SAWZIT 1 Gallon
- CSR5 SAWZIT 5 Gallon



CLAUSING KALAMAZOO 16.5" (420MM) AUTOMATIC NC TWIN COLUMN BANDSAW

Features

- Oversized hydraulic cylinder
- Twin column design ensures rigid support during cutting cycle
- Hydraulic shuttle vice assembly
- Inverter controlled infinitely variable speed
- Carbide blade guides with roller bearings
- Two additional guides to support the blade from the top
- Automatic hydraulic blade tensioning
- Power driven blade brushes
- Integral coolant system
- Smart NC-100 technology programmable up to 100 different jobs
- Easy recall and execution of stored parts
- Automatic shutoff after preset number of cuts or when out of stock
- 5.7" HMI touch screen incorporating readout on blade speed, blade life, feed vise position and error code display for self-diagnostics
- Automatic kerf loss compensation & computer controlled multiple indexing
- Precision feed pressure & feed rate
- Bundle/single cutting mode switch
- Automatic height setting feature
- Hydraulic front and rear vises
- Cast iron vises with replaceable hardened wear plates
- Discharge table with built-in coolant return
- Blade slippage or breakage detection
- Adjustable cut-off stock fence
- Additional flushing hose
- Bi-metal saw blade
- Built in work light
- Tool box, leveling pads, and an additional wire brush
- Operation & parts manual
- Two (2) year limited warranty

Specifications

Model	H1616NC
Motor	7.5 Hp (5.6 kw), 230/460v 3ph*
Hydraulic Pump Motor	2 Hp (1.5 kw)
Hydraulic Oil Capacity	10.5 gallons (40 liters)
Blade Speeds (Variable Speed)	57–378 fpm (17–115 m/min)
Blade Size	1.5" x .05" x 187.8" (41 x 1.3 x 4770mm)
Blade Tension	Hydraulic
Coolant	Recirculating
Coolant Capacity	22.5 gallons (85 liters)
90° Cutting Capacity	
Round	16.5" (420mm)
Square	16.5" (420mm)
Rectangular (H x W)	16.5" x 16.5" (420 x 420mm)
Feed Accuracy	±.004"–.008" (±0.1–0.2 mm)
Length of Remnant Manual	.79" (20 mm)
Length of Remnant Automatic	2.55" (65 mm)
Minimum Cut Thickness	.197" (5 mm)
**Bundle Cutting Width	7.48" to 14.17" (190 to 360mm)
**Bundle Cutting Height	3.94" to 7.08" (100 to 180mm)
Feed Length/Index	19.8" (503mm)
Max. Feed	255.9" (6500mm)
Length	110.4" (2805mm)
Width	100.8" (2560mm)
Height	74.9" (1903mm)
Bed Height	28.9" (735mm)
Net Weight	4673 lbs. (2120kg)
Shipping Weight	4901 lbs. (2223kg)

*Other voltages optional. **When machine is equipped with optional hydraulic bundle cutting attachment. All specifications subject to change without notice or obligation.

Accessories

- CM1601NC Chip Conveyor
- CM1602NC Hydraulic Bundle Clamps
- VP1200NC Variable Vise Pressure System
- SA22 Heavy-duty Roller Table 10' x 19"
- SA23 Heavy-duty Roller Table 5' x 19"
- P10 Stock Stand Assembly 21"–30"
- CSR1 SAWZIT 1 Gallon
- CSR5 SAWZIT 5 Gallon

www.kalamazoosaws.com



CLAUSING KALAMAZOO 16" (420MM) SEMI-AUTOMATIC BANDSAW

Features

- Twin column design insures rigid support during cutting cycle by keeping the blade parallel and square to the work piece
- Inverter controlled infinitely variable blade speed
- Digital blade speed indicator
- Carbide blade guides with roller bearings
- Two additional guides to support the blade from the top
- Automatic hydraulic blade tensioning
- Power driven blade brushes
- Integral coolant system
- LCD digital blade speed monitor
- Precision feed pressure & feed rate
- Cast iron vises with replaceable hardened wear plates
- Discharge table with built-in coolant return
- Blade slippage or breakage detection
- Additional flushing hose
- Bi-metal saw blade
- Built in work light
- Tool box, leveling pads, and an additional wire brush
- Operation & parts manual
- Two (2) year limited warranty

Specifications

Model	H1621SA
Motor	Motor 7.5 Hp (5.5 kw), 230/460v 3ph*
Hydraulic Pump Motor	2 Hp (1.5 kw)
Hydraulic Oil Capacity	10 gal (40 liters)
Blade Speeds (Variable Speed)	66–328 fpm (20–100 m/min)
Blade Size	1.5" x .050" x 208.7" (41 x 1.3 x 5300mm)
Blade Tension	Hydraulic
Coolant	Recirculating
Coolant Capacity	21.25 gal (85 liters)
90° Cutting Capacity	
Round	16.5" (420mm)
Square	16.5" (420mm)
Rectangular (H x W)	6.5"x21.6" (420x550mm)
Length	109.7" (2787mm)
Width	43.7" (1110mm)
Height	72.6" (1845mm)
Bed Height	27.5" (700mm)
Net Weight	4188 lbs. (1900kg)
Shipping Weight	4629 lbs. (2100kg)

*Other voltages optional. All specifications subject to change without notice or obligation.

Accessories

- CM1601H Chip Conveyor
- VP1201 Variable Vise Pressure System
- SA24 Heavy-duty Roller Table 10' x 21"
- SA25 Heavy-duty Roller Table 5' x 21"
- P10 Stock Stand Assembly 21"–30"
- CSR1 SAWZIT 1 Gallon
- CSR5 SAWZIT 5 Gallon



CLAUSING KALAMAZOO 16.5" (420MM) SEMI-AUTOMATIC HYDRAULIC SWIVEL HEAD MITER BANDSAW

Features

- Swivel sawhead mitering from 90° to 60°
- Rigid and heavy-duty pivot and trunion
- Sturdy cast work table
- 24.5" solid discharge table with coolant return
- Inverter controlled infinitely variable blade speed
- Carbide blade guides with roller bearings
- Two additional bearings to support blade from the top
- Cast iron guide arm supported by heavy-duty cast iron dovetail
- Automatic hydraulic blade tensioning
- Integral coolant system
- Synchronized blade brush
- Precision feed pressure & feed rate dual valve system
- Conveniently designed control station
- Electrical components located inside the control box with main lockout disconnect
- Work height selector
- Industrial rated hydraulic components
- 36" infeed roller table
- Full stroke machine vises
- Breakage detector
- Built-in adjustable material stop
- Adjustable work light
- Additional flushing hose
- Bi-metal saw blade
- Tool box, leveling pads, and an additional wire brush
- Operation & parts manual
- Two (2) year limited warranty

Specifications

Model	MS1625SA
Motor	5 Hp (3.75 kw), 230/460v 3ph*
Hydraulic Pump Motor	1 Hp (.75 kw)
Hydraulic Oil Capacity	11.7 gallons (45 liters)
Blade Speeds (Variable Speed)	66–328 fpm (20–100 m/min)
Blade Size	1.25" x .042" x 209" (34 x 1.1 x 5300mm)
Blade Tension	Hydraulic
Coolant	Recirculating
Coolant Capacity	15.6 gallons (60 liters)
90° Cutting Capacity	
Round	16.5" (420mm)
Rectangular (H x W)	15" x 25.6" (380 x 650mm)
45° Cutting Capacity	
Round	16" (400mm)
Rectangular (H x W)	16" x 16" (400 x 400mm)
60° Cutting Capacity	
Round	10" (250mm)
Rectangular (H x W)	16" x 10" (400 x 250mm)
Length	90.6" (2300mm)
Width	114" (2900mm)
Height	98.4" (2500mm)
Bed Height	29.5" (750mm)
Net Weight	3300 lbs (1200kg)
Shipping Weight	3960 lbs. (1800kg)

*Other voltages optional. All specifications subject to change without notice or obligation.

Accessories

- CM1601M Chip Conveyor
- VP1201 Variable Vise Pressure System
- SA26 Heavy-duty Roller Table 10' x 25"
- SA27 Heavy-duty Roller Table 5' x 25"
- P10 Stock Stand Assembly 21"–30"
- CSR1 SAWZIT 1 Gallon
- CSR5 SAWZIT 5 Gallon



CLAUSING KALAMAZOO 16" (420MM) SEMI-AUTOMATIC BANDSAW

Features

- Twin column design insures rigid support during cutting cycle by keeping the blade canted for longer blade life and cutting efficiency 0–7-1/2 deg standard
- Inverter controlled infinitely variable blade speed
- Digital blade speed indicator
- Carbide blade guides with roller bearings
- Two additional guides to support the blade from the top
- Automatic hydraulic blade tensioning
- Power driven blade brushes
- Integral coolant system
- Automatic shut-off at end of cut
- Precision feed pressure & feed rate
- Cast iron vises with replaceable hardened wear plates
- Discharge table with built-in coolant return
- Blade slippage or breakage detection
- Additional flushing hose
- Bi-metal saw blade
- Built in work light
- Tool box, leveling pads, and an additional wire brush
- Operation & parts manual
- Two (2) year limited warranty

Specifications

Model	H1628SA
Motor	Motor 7.5 Hp (5.5 kw), 230/460v 3ph*
Hydraulic Pump Motor	1 Hp (.75 kw)
Hydraulic Oil Capacity	13 gallons (50 liters)
Blade Speeds (Variable Speed)	66–328 fpm (20–100 m/min)
Blade Size	1.5" x .05" x 215" (41 x 1.3 x 5450mm)
Blade Tension	Hydraulic
Coolant	Recirculating
Coolant Capacity	10.4 gallons (40 liters)
90° Cutting Capacity	
Round	16.5" (420mm)
Square	16.5" (420mm)
Rectangular (H x W)	13.8" x 27.5" (350 x 700mm)
Length	47" (1200mm)
Width	108" (2750mm)
Height	84.2" (2150mm)
Bed Height	27.5" (700mm)
Net Weight	4440 lbs. (2017 kg)
Shipping Weight	4720 lbs. (2145 kg)

*Other voltages optional. All specifications subject to change without notice or obligation.

Accessories

- CM1601HA Chip Conveyor
- VP1201 Variable Vise Pressure System
- SA26 Heavy-duty Roller Table 10' x 25"
- SA27 Heavy-duty Roller Table 5' x 25"
- SM1303 Buck Boost Transformer 208V service 7.5 Hp
- P10 Stock Stand Assembly 21"–30"
- CSR1 SAWZIT 1 Gallon
- CSR5 SAWZIT 5 Gallon



CLAUSING KALAMAZOO 18" (460MM) AUTOMATIC BANDSAW

Features

- Oversized hydraulic cylinder
- Hydraulic shuttle vice assembly
- Inverter controlled infinitely variable speed
- Carbide blade guides with roller bearings
- Two additional guides to support the blade from the top
- Automatic hydraulic blade tensioning
- Power driven blade brushes
- Integral coolant system
- Automatic shutoff at end of material or after preset number of cuts
- LCD digital blade speed monitor
- Precision feed pressure & feed rate
- Bundle/single cutting mode switch
- Automatic height setting feature
- Hydraulic front and rear vises
- Cast iron vises with replaceable hardened wear plates
- PLC controlled multiple indexing
- Discharge table with built-in coolant return
- Blade slippage or breakage detection
- Adjustable cut-off stock fence
- Additional flushing hose
- Bi-metal saw blade
- Built in work light
- Tool box, leveling pads, and an additional wire brush
- Operation & parts manual
- Two (2) year limited warranty

Specifications

Model	KC18AX
Motor	7.5 Hp (5.6 kw), 230/460v 3ph*
Hydraulic Pump Motor	2 Hp (1.5 kw)
Hydraulic Oil Capacity	10.6 gallons (40 liters)
Blade Speeds (Variable Speed)	66–330 fpm (20–100 m/min)
Blade Size	1.5" x .050" x 184" (41 x 1.3 x 4670mm)
Blade Tension	Hydraulic
Coolant	Recirculating
Coolant Capacity	21 gallons (80 liters)
90° Cutting Capacity	
Round	18" (460mm)
Square	18" (460mm)
Rectangular (H x W)	18" x 18" (460 x 460mm)
Feed Accuracy	±.004"–.008" (±0.1–0.2 mm)
Length of Remnant Manual	.79" (20 mm)
Length of Remnant Automatic	2.95" (75 mm)
Minimum Cut Thickness	.197" (5 mm)
Feed Length/Index	23.6" (600mm)
Max. Feed	252.6" (5400mm)
Length	104.4" (2650mm)
Width	94.5" (2400mm)
Height (head-down)	92.5" (2350mm)
Height (head-up)	76" (1930mm)
Bed Height	29.5" (750mm)
Net Weight	6160 lbs. (2800 kg)
Shipping Weight	6600 lbs. (3000 kg)

*Other voltages optional. All specifications subject to change without notice or obligation.

Accessories

- CM1801 Chip Conveyor
- CM1802 Hydraulic Bundle Clamps
- VP1200 Variable Vise Pressure System
- SA22 Heavy-duty Roller Table 10' x 19"
- SA23 Heavy-duty Roller Table 5' x 19"
- P10 Stock Stand Assembly 21"–30"
- CSR1 SAWZIT 1 Gallon
- CSR5 SAWZIT 5 Gallon

CLAUSING KALAMAZOO 19" SEMI-AUTOMATIC HYDRAULIC DOUBLE MITER SWIVEL HEAD BANDSAW

Features

- Double swivel saw head mitering from 90° to +/- 45° to +/- 60°
- Rigid, oversize linear guides precision ground to ensure smooth feed rate
- 10 degree blade cant for longer blade life
- Hydraulically driven consistent feed rate of the cutting head
- Specially designed gearbox for smooth and powerful cutting
- Heavy duty inverter blade drive system with variable blade speed control
- Carbide blade guides
- Two additional guide bearings for extra support of the blade
- Automatic hydraulic blade tensioning device
- Integral coolant system
- Synchronized power driven blade brush
- Guide Arm travels along one linear guide and moves in sync with the full stroke hydraulic vise to always be at the best location possible when cutting
- 5.7" HMI touch screen controller
- Precision feed pressure & feed rate dual valve system
- Fast accurate mitering via automatic angle positioning through the HMI touch screen with 0.1° accuracy
- Hydraulic angle lock-down device
- Extremely heavy-duty cast iron machine vises ensuring tight clamping
- Full Stroke hydraulic clamping cylinder
- Inverter controlled infinitely variable blade speed
- Proximity switch for sensing blade slippage or breakage
- Electrical and hydraulic safety interlock
- Conduits protection measure
- "Alert Orange" safety measure
- Blade "clip" device for easy blade change
- Bi-metal saw blade
- Tool box, leveling pads, and an additional wire brush
- Operation & parts manual
- Two (2) year limited warranty

Accessories

- CM1901MD Hydraulic Chip Conveyor
- VP1901NC Variable Vise Pressure System
- CM1902MD Hydraulic Bundle Clamp
- SA26 Heavy-duty Roller Table 10' x 25"
- SA27 Heavy-duty Roller Table 5' x 25"
- SM1303 Buck Boost Transformer for 208V service 7.5 Hp
- P10 Stock Stand Assembly 21"–30"
- CSR1 SAWZIT 1 Gallon
- CSR5 SAWZIT 5 Gallon



Specifications

Model	MSD1928SA
Motor	7.5 Hp (5.6 kw), 230/460v 3ph*
Hydraulic Pump Motor	1 Hp (.75 kw)
Hydraulic Oil Capacity	9.1 gallons (35 liters)
Blade Speeds (Variable Speed)	83–330 fpm (25-100 m/min)
Blade Size	1.5" x .050" x 257.5" (41 x 1.3 x 6540mm)
Blade Tension	Hydraulic
Coolant	Recirculating
Coolant Capacity	13 gallons (50 liters)
90° Cutting Capacity	
Round	19" (470mm)
Rectangular (H x W)	16.5" x 28" (420 x 710mm)
45° Cutting Capacity	
Round	16.5" (420mm)
Rectangular (H x W)	16.5" x 17.7" (420 v 450mm)
60° Cutting Capacity	
Round	11.8" (300mm)
Rectangular (H x W)	16.5" x 11.8" (420 x 300mm)
Length	130.3" (3310mm)
Width	135.8" (3450mm)
Height	88.6" (2250mm)
Bed Height	25.8" (655mm)
Net Weight	6100 lbs (2766kg)
Shipping Weight	6380 lbs. (2900kg)

*Other voltages optional. All specifications subject to change without notice or obligation.



CLAUSING KALAMAZOO 20.5" (520MM) AUTOMATIC NC TWIN COLUMN BANDSAW

Features

- Oversized hydraulic cylinder
- Hydraulic shuttle vice assembly
- Inverter controlled infinitely variable speed
- Carbide blade guides with roller bearings
- Two additional guides to support the blade from the top
- Automatic hydraulic blade tensioning
- Power driven blade brushes
- Integral coolant system
- Smart NC-100 technology programmable up to 100 different jobs
- Easy recall and execution of stored parts
- Automatic shutoff after preset number of cuts or when out of stock
- 5.7" HMI touch screen incorporating readout on blade speed, blade life, feed vise position and error code display for self-diagnostics
- Automatic kerf loss compensation & computer controlled multiple indexing
- Precision feed pressure & feed rate
- Bundle/single cutting mode switch
- Automatic height setting feature
- Hydraulic front and rear vises
- Cast iron vises with replaceable hardened wear plates
- Discharge table with built-in coolant return
- Blade slippage or breakage detection
- Adjustable cut-off stock fence
- Additional flushing hose
- Bi-metal saw blade
- Built in work light
- Tool box, leveling pads, and an additional wire brush
- Operation & parts manual
- Two (2) year limited warranty

Specifications

Model	H2022NC
Motor	7.5 Hp (5.6 kw), 230/460v 3ph*
Hydraulic Pump Motor	2 Hp (1.5 kw)
Hydraulic Oil Capacity	10.5 gallons (40 liters)
Blade Speeds (Variable Speed)	66–328 fpm (20–100 m/min)
Blade Size	2" x .06" x 238" (54 x 1.6 x 6040mm)
Blade Tension	Hydraulic
Coolant	Recirculating
Coolant Capacity	22.5 gallons (85 liters)
90° Cutting Capacity	
Round	20.5" (520mm)
Square	20.5" (520mm)
Rectangular (H x W)	22" x 20.5" (560mm x 520mm)
Feed Accuracy	±.004"–.008" (±0.1–0.2 mm)
Length of Remnant Manual	.79" (20 mm)
Length of Remnant Automatic	3.93" (100 mm)
Minimum Cut Thickness	.394" (10 mm)
**Bundle Cutting Width	9.84" to 18.5" (250 to 470mm)
**Bundle Cutting Height	5.9" to 12.4" (150 to 315mm)
Feed Length/Index	19.8" (503mm)
Max. Feed	198" (5029mm)
Length	125" (3175mm)
Width	89" (2261mm)
Height	89" (2261mm)
Bed Height	27.2" (690mm)
Net Weight	6930 lbs. (3150kg)
Shipping Weight	7326 lbs. (3330kg)

*Other voltages optional. **When machine is equipped with optional hydraulic bundle cutting attachment. All specifications subject to change without notice or obligation.

Accessories

- CM2001N Chip Conveyor
- CM2002N Hydraulic Bundle Clamps
- VP1200NC Variable Vise Pressure System
- SA26 Heavy-duty Roller Table 10' x 25"
- SA27 Heavy-duty Roller Table 5' x 25"
- P10 Stock Stand Assembly 21"–30"
- CSR1 SAWZIT 1 Gallon
- CSR5 SAWZIT 5 Gallon



CLAUSING KALAMAZOO 20" (500MM) SEMI-AUTOMATIC BANDSAW

Features

- Twin column design insures rigid support during cutting cycle by keeping the blade parallel and square to the work piece
- Inverter controlled infinitely variable blade speed
- Digital blade speed indicator
- Carbide blade guides with roller bearings
- Two additional guides to support the blade from the top
- Automatic hydraulic blade tensioning
- Power driven blade brushes
- Integral coolant system
- Automatic shutoff at end of cut
- LCD digital blade speed monitor
- Precision feed pressure & feed rate
- Cast iron vises with replaceable hardened wear plates
- Discharge table with built-in coolant return
- Blade slippage or breakage detection
- Additional flushing hose
- Bi-metal saw blade
- Built in work light
- Tool box, leveling pads, and an additional wire brush
- Operation & parts manual
- Two (2) year limited warranty

Specifications

Model	H1628SA
Motor	7.5 Hp (5.5 kw), 230/460v 3ph*
Hydraulic Pump Motor	2 Hp (.75 kw)
Hydraulic Oil Capacity	10 gallons (40 liters)
Blade Speeds (Variable Speed)	66–328 fpm (20–100 m/min)
Blade Size	2" x .063" x 238" (54 x 1.6 x 6040mm)
Blade Tension	Hydraulic
Coolant	Recirculating
Coolant Capacity	21.5 gallons (85 liters)
90° Cutting Capacity	
Round	20" (500mm)
Square	20" (500mm)
Rectangular (H x W)	20" x 29.5" (500 x 750mm)
Length	122.9" (3122mm)
Width	43.2" (1097mm)
Height	82.1" (2085mm)
Bed Height	27.5" (701mm)
Net Weight	5016 lbs. (2080kg)
Shipping Weight	5720 lbs. (2600kg)

*Other voltages optional. All specifications subject to change without notice or obligation.

Accessories

- CM2001H Chip Conveyor
- VP1201 Variable Vise Pressure System
- SA26 Heavy-duty Roller Table 10' x 25"
- SA27 Heavy-duty Roller Table 5' x 25"
- P10 Stock Stand Assembly 21"–30"
- CSR1 SAWZIT 1 Gallon
- CSR5 SAWZIT 5 Gallon



CLAUSING KALAMAZOO 24" (610MM) AUTOMATIC NC TWIN COLUMN BANDSAW

Features

- Oversized hydraulic cylinder
- Twin column design ensures rigid support during cutting cycle
- Hydraulic shuttle vice assembly
- Inverter controlled infinitely variable speed
- Carbide blade guides with roller bearings
- Two additional guides to support the blade from the top
- Automatic hydraulic blade tensioning
- Power driven blade brushes
- Integral coolant system
- Smart NC-100 technology programmable up to 100 different jobs
- Easy recall and execution of stored parts
- Automatic shutoff after preset number of cuts or when out of stock
- 5.7" HMI touch screen incorporating readout on blade speed, blade life, feed vise position and error code display for self-diagnostics
- Automatic kerf loss compensation & computer controlled multiple indexing
- Precision feed pressure & feed rate
- Bundle/single cutting mode switch
- Automatic height setting feature
- Hydraulic front and rear vises
- Cast iron vises with replaceable hardened wear plates
- Discharge table with built-in coolant return
- Blade slippage or breakage detection
- Adjustable cut-off stock fence
- Additional flushing hose
- Bi-metal saw blade
- Built in work light
- Tool box, leveling pads, and an additional wire brush
- Operation & parts manual
- Two (2) year limited warranty

Specifications

Model	H2022NC
Motor	10 Hp (7.5 kw), 230/460v 3ph*
Hydraulic Pump Motor	2 Hp (1.5 kw)
Hydraulic Oil Capacity	10.5 gallons (40 liters)
Blade Speeds (Variable Speed)	66–328 fpm (20–100 m/min)
Blade Size	2" x .06" x 283" (54 x 1.6 x 7200mm)
Blade Tension	Hydraulic
Coolant	Recirculating
Coolant Capacity	22.5 gallons (85 liters)
90° Cutting Capacity	
Round	24.4" (620mm)
Square	24.4" (620mm)
Rectangular (H x W)	24.4" x 30" (620 x 760mm)
Feed Accuracy	±.004"–.008" (±0.1–0.2 mm)
Length of Remnant Manual	.79" (20 mm)
Length of Remnant Automatic	6.49" (165 mm)
Minimum Cut Thickness	.551" (14 mm)
**Bundle Cutting Width	30" (760mm)
**Bundle Cutting Height	22" (560mm)
Feed Length/Index	19.7" (500mm)
Max. Feed	999" (99M)
Length	160.5" (4076mm)
Width	82.4" (2093mm)
Height	94.1" (2391mm)
Bed Height	94.1" (2391mm)
Net Weight	10,582 lbs. (4800kg)
Shipping Weight	11,904 lbs. (5400kg)

*Other voltages optional. **When machine is equipped with optional hydraulic bundle cutting attachment. All specifications subject to change without notice or obligation.

Accessories

- CM2401N Chip Conveyor
- CM2402N Hydraulic Bundle Clamps
- VP24NC Variable Vise Pressure System
- SA26 Heavy-duty Roller Table 10' x 25"
- SA27 Heavy-duty Roller Table 5' x 25"
- P10 Stock Stand Assembly 21"–30"
- CSR1 SAWZIT 1 Gallon
- CSR5 SAWZIT 5 Gallon

CLAUSING KALAMAZOO 24" (620MM) SEMI-AUTOMATIC BANDSAW



Features

- Oversized precision ground, large dual columns
- Cross link connecting two columns for enhanced structural strength
- Specially designed gearbox for high lateral pressure
- Heavy-duty inverter blade drive system
- LED speed indicator
- Cam lock carbide blade guides with bearing guides
- Two additional guides to support the blade from the top
- Automatic hydraulic blade tensioning device
- Integral coolant system
- Synchronized power driven blade brush
- PLC control
- Ergonomically located independent control station
- Precision feed pressure & feed rate dual valve system
- Work height selector & air gap eliminator
- "Shut off" or "keep on" selector
- Split vise jaws
- Full stroke ductile cast iron split vise
- Hydraulically powered in-feed lift roller for forward and backward feeding
- Ductile cast iron vises with replaceable hardened wear plates
- Proximity switch for sensing blade slippage or breakage
- Blade "clip" device for easy blade change
- Discharge roller workbed with built-in coolant return
- Additional flushing hose
- Bi-metal saw blade
- Tool box, leveling pads, and an additional wire brush
- Operation & parts manual
- Two (2) year limited warranty

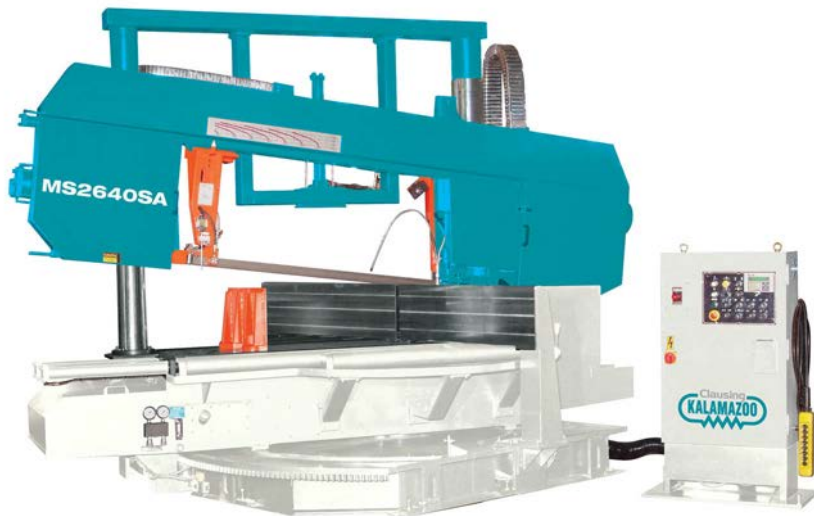
Specifications

Model	H2430SA
Motor	10 Hp (7.3 kw), 230/460v 3ph*
Hydraulic Pump Motor	2 Hp (1.5 kw)
Hydraulic Oil Capacity	12.5 gallons (50 liters)
Blade Speeds (Variable Speed)	66–328 fpm (20-100 m/min)
Blade Size	2" x .063" x 283" (54 x 1.6 x 7200mm)
Blade Tension	Hydraulic
Coolant	Recirculating
Coolant Capacity	25 gallons (100 liters)
90° Cutting Capacity	
Round	24.4" (620mm)
Square	24.4" (620mm)
Rectangular (H x W)	24.4" x 30" (620 x 760mm)
Length	47.2" (1200mm)
Width	140" (3560mm)
Height	93" (2360mm)
Bed Height	23.6" (700mm)
Net Weight	7700 lbs. (3500 kg)
Shipping Weight	8580 lbs. (3900 kg)

*Other voltages optional. All specifications subject to change without notice or obligation.

Accessories

- CM2401H Chip Conveyor
- VP1201 Variable Vise Pressure System
- SA26 Heavy-duty Roller Table 10' x 25"
- SA27 Heavy-duty Roller Table 5' x 25"
- P10 Stock Stand Assembly 21"–30"
- CSR1 SAWZIT 1 Gallon
- CSR5 SAWZIT 5 Gallon



CLAUSING KALAMAZOO 26" (660MM) SEMI-AUTOMATIC HYDRAULIC SWIVEL HEAD MITER BANDSAW

Features

- Swivel sawhead mitering from 90° to 60°
- Precision ground, oversized round column design
- 7.5 degree blade cant for longer blade life
- Heavy duty, rigid saw frame supported by two large bore hydraulic cylinders
- Cross link connecting the two columns for enhanced structural strength
- 45 degree forward & backward swivel with automatic angle lock-in smooth and powerful cutting
- Heavy-duty inverter blade drive system
- Easy-to-read LED speed indicator
- Hydraulically operated carbide blade guides
- Two additional guide bearings for extra support of the blade
- Automatic hydraulic blade tensioning device
- Hydraulically actuated guide arm
- Integral coolant system
- Synchronized power driven blade brush
- Independent control station
- Precision feed pressure & feed rate dual valve system
- "Shut off" or "keep on" selector switch
- Vise pressure detector
- Hydraulically powered material infeed lift roller
- Idle roller work table for material feeding
- Light projection for precise length measurement
- Two full stroke cylinder vises
- Proximity switch for sensing blade slippage or breakage
- Electrical and hydraulic safety interlock
- Conduits protection
- Bi-metal saw blade
- Tool box, leveling pads, and an additional wire brush
- Operation & parts manual
- Two (2) year limited warranty

Specifications

Model	MS2640SA
Motor	10 Hp (7.5 kw), 230/460v 3ph*
Hydraulic Pump Motor	3 Hp (2.25 kw)
Hydraulic Oil Capacity	15.6 gallons (60 liters)
Blade Speeds (Variable Speed)	49–295 fpm (15–90 m/min)
Blade Size	2" x .063" x 326.8" (54 x 1.6 x 8300mm)
Blade Tension	Hydraulic
Coolant	Recirculating
Coolant Capacity	26 gallons (100 liters)
90° Cutting Capacity	
Round	26" (660mm)
Rectangular (H x W)	20.5" x 40" (520 x 1020mm)
45° Cutting Capacity	
Round	23" (620mm)
Rectangular (H x W)	20.5" x 24.4" (520 x 620mm)
60° Cutting Capacity	
Round	15.7" (400mm)
Rectangular (H x W)	21.3" x 15.7" (540 x 400mm)
Length	148" (3750mm)
Width	154" (3900mm)
Height	109" (2765mm)
Bed Height	31.9" (810mm)
Net Weight	9460 lbs. (4300 kg)
Shipping Weight	12,254 lbs. (5570 kg)

*Other voltages optional. All specifications subject to change without notice or obligation.

Accessories

- CM2601M Chip Conveyor
- VP1201 Variable Vise Pressure System
- P10 Stock Stand Assembly 21"–30"
- CSR1 SAWZIT 1 Gallon
- CSR5 SAWZIT 5 Gallon



CLAUSING KALAMAZOO 31.6" (800MM) SEMI-AUTOMATIC BANDSAW

Features

- The extra heavy-duty saw frame is supported by two large bore hydraulic cylinders, providing unsurpassed rigidity, and the smoothest cutting possible
- Dual Column design with precision ground columns ensures smooth saw frame movement and consistent cutting force throughout the cutting cycle
- Large diameter cast iron bandwheels
- Inverter drive with infinitely variable blade speeds with blade speed indicator
- Hydraulic controlled tungsten carbide blade guide
- Groove shaped designed blade guides
- Hydraulic controlled blade tension device
- Hydraulic driven guide arm
- Proximity switch for sensing blade slippage or breakage
- Independent wire brush drive system
- 'Auto shut off' function automatically stops the machine and shuts down the hydraulic system at the end of the last cut
- Two full stroke cylinder vices
- Discharge table with built-in coolant return
- Heavy-duty machine structure design for heavy cutting jobs
- Precise flow control valve to finely adjust the cutting speed
- Additional flushing hose
- Bi-metal saw blade
- Tool box, leveling pads, and an additional wire brush
- Operation & parts manual
- Two (2) year limited warranty

Specifications

Model	H3140SA
Motor	15 Hp (11.2 kw), 230/460v 3ph*
Hydraulic Pump Motor	3 Hp (2.2 kw)
Hydraulic Oil Capacity	26 gallons (100 liters)
Blade Speeds (Variable Speed)	49–264 fpm (15–80 m/min)
Blade Size	2.5" x .063" x 346.5" (67 x 1.6 x 8800mm)
Blade Tension	Hydraulic
Coolant	Recirculating
Coolant Capacity	32 gallons (120 liters)
90° Cutting Capacity	
Round	31.5" (800mm)
Square	31.5" (800mm)
Rectangular (H x W)	31.5" x 39.4" (800 x 1000mm)
Length	90" (2286mm)
Width	169" (4293mm)
Height	105" (2667mm)
Bed Height	25.2" (640mm)
Net Weight	22,000 lbs. (10000 kg)
Shipping Weight	23,320 lbs. (10,578 kg)

*Other voltages optional. All specifications subject to change without notice or obligation.

Accessories

- CM3101H Chip Conveyor
- VP1201 Variable Vise Pressure System
- P10 Stock Stand Assembly 21"–30"
- CSR1 SAWZIT 1 Gallon
- CSR5 SAWZIT 5 Gallon

CLAUSING KALAMAZOO 43.3" (1100MM) SEMI-AUTOMATIC BANDSAW

Features

- The extra heavy-duty saw frame is supported by two large bore hydraulic cylinders, providing unsurpassed rigidity, and the smoothest cutting possible
- Dual Column design with precision ground columns ensures smooth saw frame movement and consistent cutting force throughout the cutting cycle
- Specially designed planetary gear reducer for optimum mechanical efficiency
- Inverter controlled infinitely variable blade speed with blade speed indicator
- Independent wire brush system
- Hydraulically powered guide arm is positioned from the control panel
- Hydraulic Blade Tension System, with easy to read pressure gauge
- Carbide blade guides are activated hydraulically
- Additional blade guiding bearings for extra support
- Heavy cast iron moveable Guide Arm is hydraulically powered from the control panel
- Auto shut off function
- User-friendly control panel
- Precision Feed Pressure control valve with micro-precision adjustment
- Saw Blade Height Selector
- Hydraulic driven work bed with rollers for moving large material safely
- Three sets of vises design. The front and middle vises hold the stock during cutting while the guide vise can be separately controlled to guide the material during feeding cycle
- Stock position cylinder pushes stock away from fixed vise for easy material handling
- Shadow light for material measurement
- Blade breakage and/or slippage detector
- Bi-metal saw blade
- Tool box, leveling pads, and an additional wire brush
- Vibration damper
- Operation & parts manual
- Two (2) year limited warranty



Specifications

Model	H4351SA
Motor	15 Hp (11.2 kw), 230/460v 3ph*
Hydraulic Pump Motor	3 Hp (2.2 kw)
Hydraulic Oil Capacity	35 gallons (160 liters)
Blade Speeds (Variable Speed)	49–264 fpm (15–80 m/min)
Blade Size	3" x .063" x 433" (80 x 1.6 x 11000mm)
Blade Tension	Hydraulic
Coolant	Recirculating
Coolant Capacity	44 gallons (200 liters)
90° Cutting Capacity	
Round	43.3" (1100mm)
Square	43.3" (1100mm)
Rectangular (H x W)	43.3" x 51.2" (1100 x 1300mm)
Length	86.6" (2200mm)
Width	193" (4900mm)
Height	137.8" (3500mm)
Bed Height	24.4" (620mm)
Net Weight	30,140 lbs. (13700 kg)
Shipping Weight	33,455 lbs. (15175 kg)

*Other voltages optional. All specifications subject to change without notice or obligation.

Accessories

- CM4301H Chip Conveyor
- VP1201 Variable Vise Pressure System
- P10 Stock Stand Assembly 21"–30"
- CSR1 SAWZIT 1 Gallon
- CSR5 SAWZIT 5 Gallon

CLAUSING KALAMAZOO 51" (1300MM) SEMI-AUTOMATIC BANDSAW



Features

- The extra heavy-duty saw frame is supported by two large bore hydraulic cylinders, providing unsurpassed rigidity, and the smoothest cutting possible
- Dual Column design with precision ground columns ensures smooth saw frame movement and consistent cutting force throughout the cutting cycle
- Specially designed planetary gear reducer for optimum mechanical efficiency
- Inverter controlled infinitely variable blade speed with blade speed indicator
- Independent wire brush system
- Hydraulically powered guide arm is positioned from the control panel
- Hydraulic Blade Tension System, with easy to read pressure gauge
- Carbide blade guides are activated hydraulically
- Additional blade guiding bearings for extra support
- Heavy cast iron moveable Guide Arm is hydraulically powered from the control panel
- Auto shut off function
- User-friendly control panel
- Precision Feed Pressure control valve with micro-precision adjustment
- Saw Blade Height Selector
- Hydraulic driven work bed with rollers for moving large material safely
- Three sets of vises design. The front and middle vises hold the stock during cutting while the guide vise can be separately controlled to guide the material during feeding cycle
- Stock position cylinder pushes stock away from fixed vise for easy material handling
- Shadow light for material measurement
- Blade breakage and/or slippage detector
- Bi-metal saw blade
- Tool box, leveling pads, and an additional wire brush
- Vibration damper
- Operation & parts manual
- Two (2) year limited warranty

Specifications

Model	H5167SA
Motor	20 Hp (11.2 kw), 230/460v 3ph*
Hydraulic Pump Motor	3 Hp (2.2 kw)
Hydraulic Oil Capacity	35 gallons (160 liters)
Blade Speeds (Variable Speed)	49–264 fpm (15–80 m/min)
Blade Size	3" x .063" x 512" (80 x 1.6 x 13000mm)
Blade Tension	Hydraulic
Coolant	Recirculating
Coolant Capacity	44 gallons (200 liters)
90° Cutting Capacity	
Round	51" (1300mm)
Square	51" (1300mm)
Rectangular (H x W)	51" x 67" (1300 x 1700mm)
Length	118" (3000mm)
Width	232" (5892mm)
Height	166.5" (4228mm)
Bed Height	24.4" (620mm)
Net Weight	48,500 lbs. (22000 kg)
Shipping Weight	51,410 lbs. (23320 kg)

*Other voltages optional. All specifications subject to change without notice or obligation.

Accessories

- CM5101H Chip Conveyor
- VP1201 Variable Vise Pressure System
- P10 Stock Stand Assembly 21"–30"
- CSR1 SAWZIT 1 Gallon
- CSR5 SAWZIT 5 Gal